

PC-800

15" TOUCH
SCREENPC
ARCHITECTURE

WINDOWS

120 GB
SSD

USB

ETHERNET
TCP/IP

Main characteristics

- High-resistance industrial PC, for integration with software applications and ERP systems.

Outstanding functions

- Different software applications can be installed.
- The ERP can be integrated in the PC-800 and work with the weighing application either in the same device or connected from an external PC.
- Microsoft Windows 7 embedded.

CPU

- Industrial fanless.
- Processor: Intel Dual-Core 1.86 MHz.
- Memory: 2 Gb, DDR3. Optional 4 Gb.
- 120 Gb SSD.
- Solid state drives.

Construction

- Structure:
 - AISI 304 stainless steel housing.
- Display: 15" TFT touch screen.
- IP65 protection equivalent with packing gland (IP54 cable duct).
- An adjustable angle mount for table or wall included.

Connections on panel

- 1 RS-232/422/485.
- 1 RS-232.
- 2 Ethernet.
- 4 USB.
- VGA /DVI-D (for extra screen).

Internal connections

- 8 RS-232.
- 4 digital Input/Output.
- 1 MiniPCIe for connection to a Wi-Fi module or a m-SATA disk.

- 2 SATA.
- 1 PCI Slot.

PC Software

- Open solution to install all types of software applications (ERPs, production control, warehouse management, etc.).

Power supply

- 230/110 V.

Other possible peripherals

- Barcode reader scanner (only needs wiring for communications).
- TV.
- 1 audio (I/O).
- Others: keypad, mouse, etc.

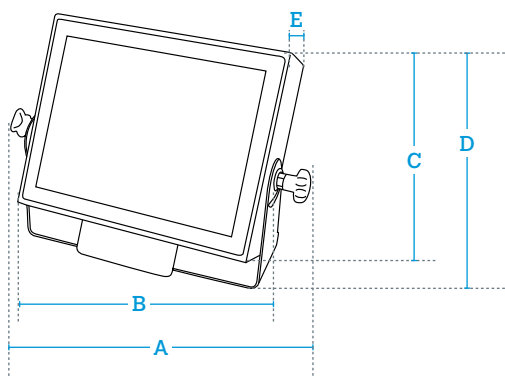
MODEL:

PC-800

- Industrial PC with Windows 7 embedded.
(For Windows XP embedded, contact us).

Ref.:
7V0Z01E011 __

DIMENSIONS



DATA IN mm

A	480
B	371
C	298
D	388
E	125

Options

Option	Characteristics	Ref.
Wi-Fi	Wireless communications.	Contact us
RAM 4Gb	Memory upgrade from 2 GB to 4 GB.	Contact us
Windows XP	To replace standard operating system.	Contact us

Accessories



Ref: 493358A

Column

Stand for the industrial PC.



Ref: PE18137

PC keypad mount

Tray for computer keypad.



Ref: BC-745

Barcode reader

Scanner. Serial port cable not included.



Ref: BC-668

Barcode scanner

• Wireless.
Scanner. Serial port cable not included.